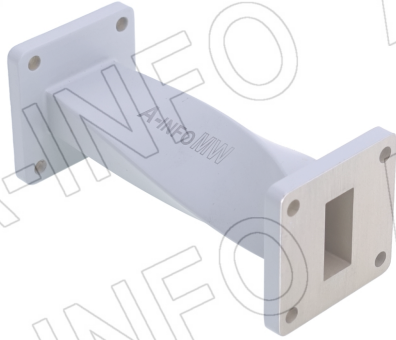


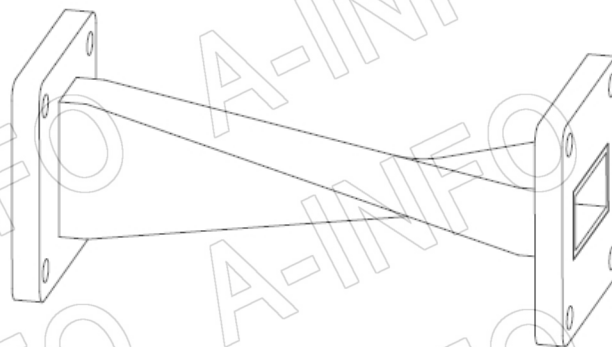
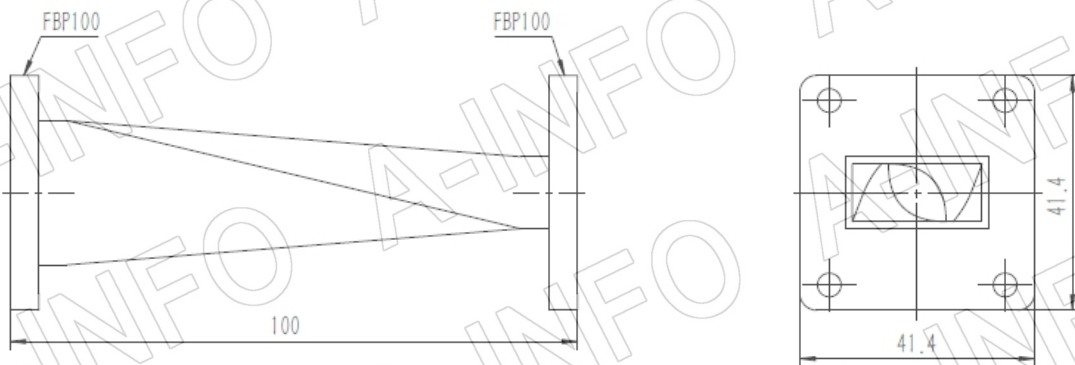
For reference only. See data sheet for the detailed specifications.

## Technical Specification

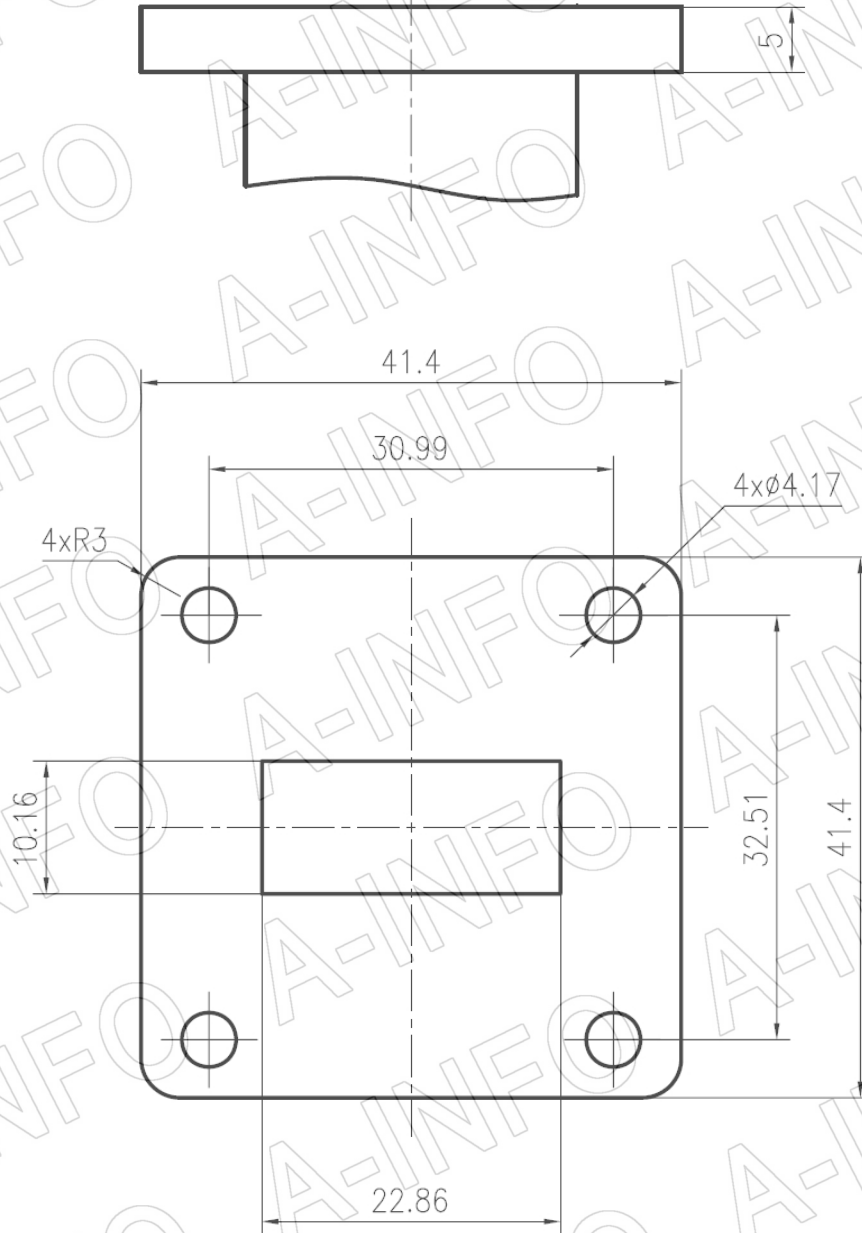


EIA WR	WR90
Frequency Range(GHz)	8.20 – 12.40
Twist Type	Right-Handed
Twist Degree(deg)	90
Insertion Loss(dB)	0.1 Max.
VSWR	1.10:1 Max.
Flange	FBP100(UBR100)
Material	Al
Finish	Chemical Conversion Coating, Gray Paint
Size(mm)	100 x 41.4 x 41.4
Net Weight(Kg)	0.06 Around

## Outline Drawing (Size: mm)



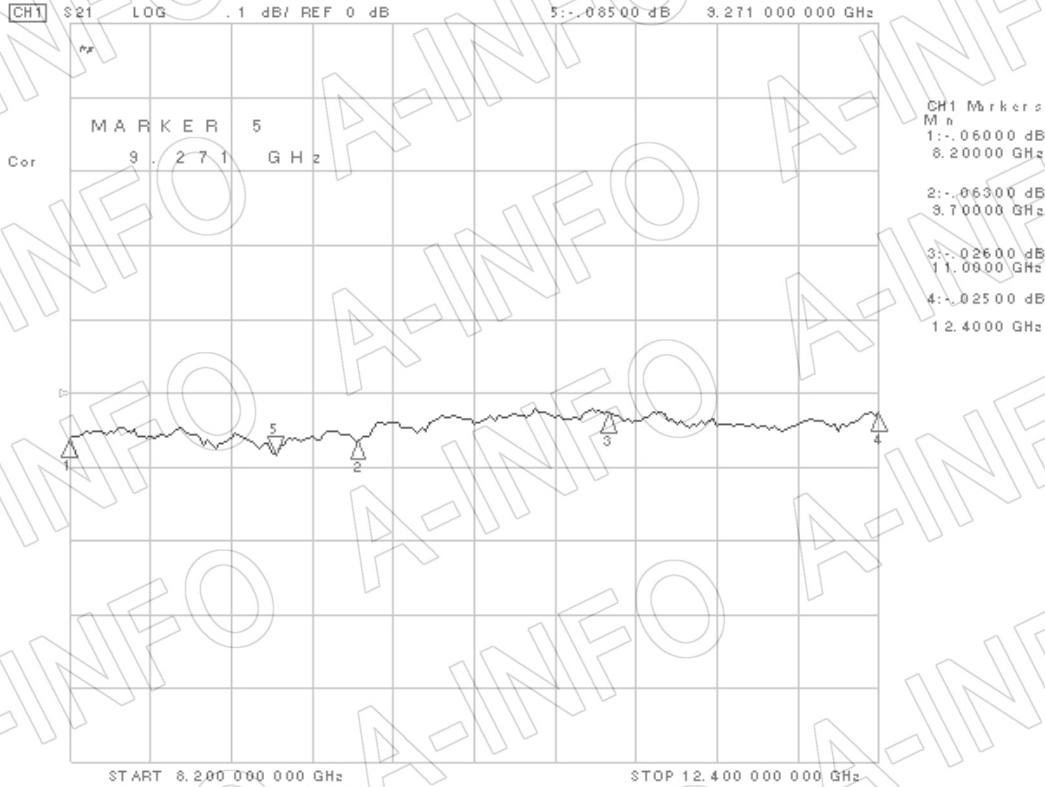
## Flange Drawing (Size: mm)



### FBP100

## Test Results

I.L.



VSWR

